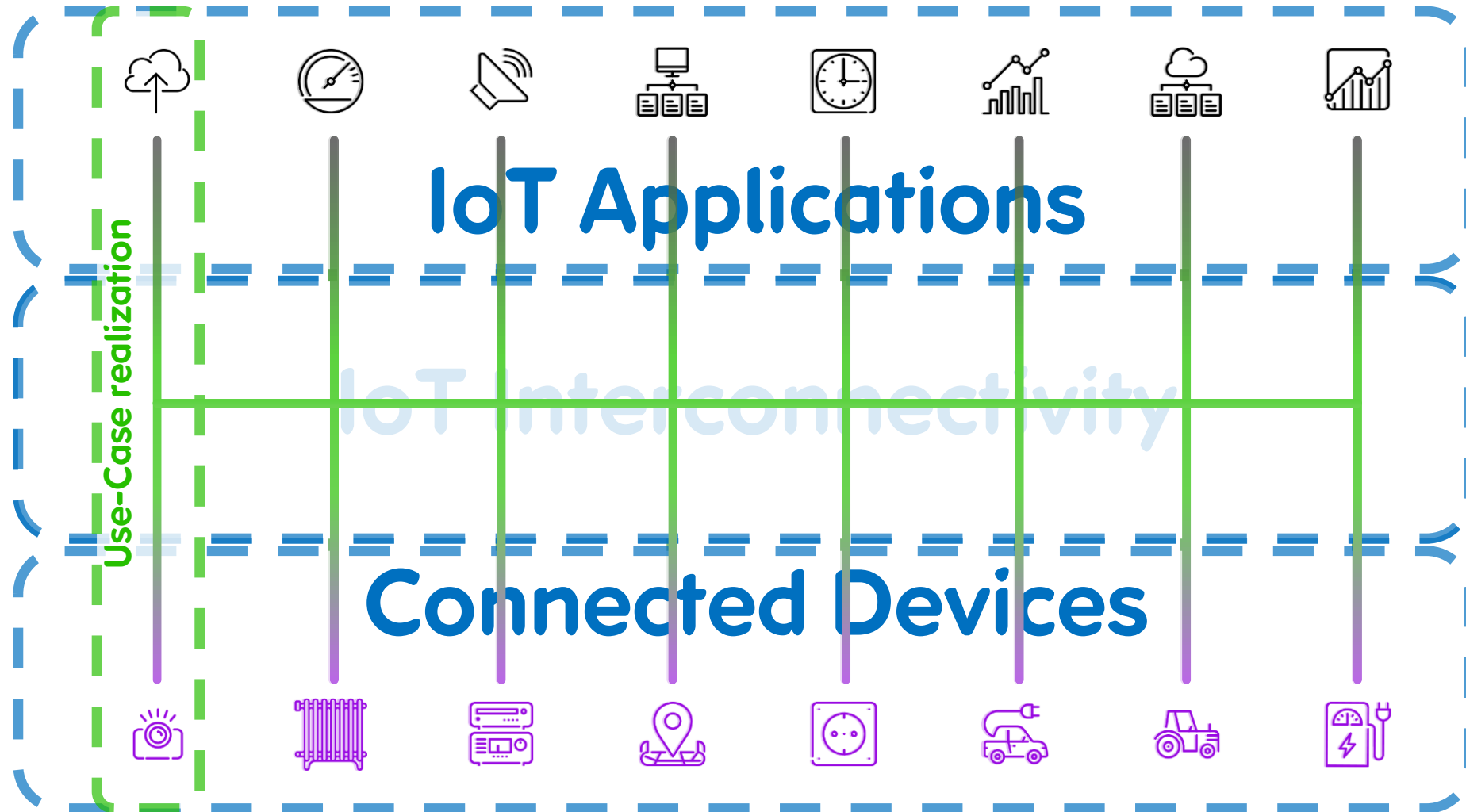


PLATFORMS FOR IoT & M2M

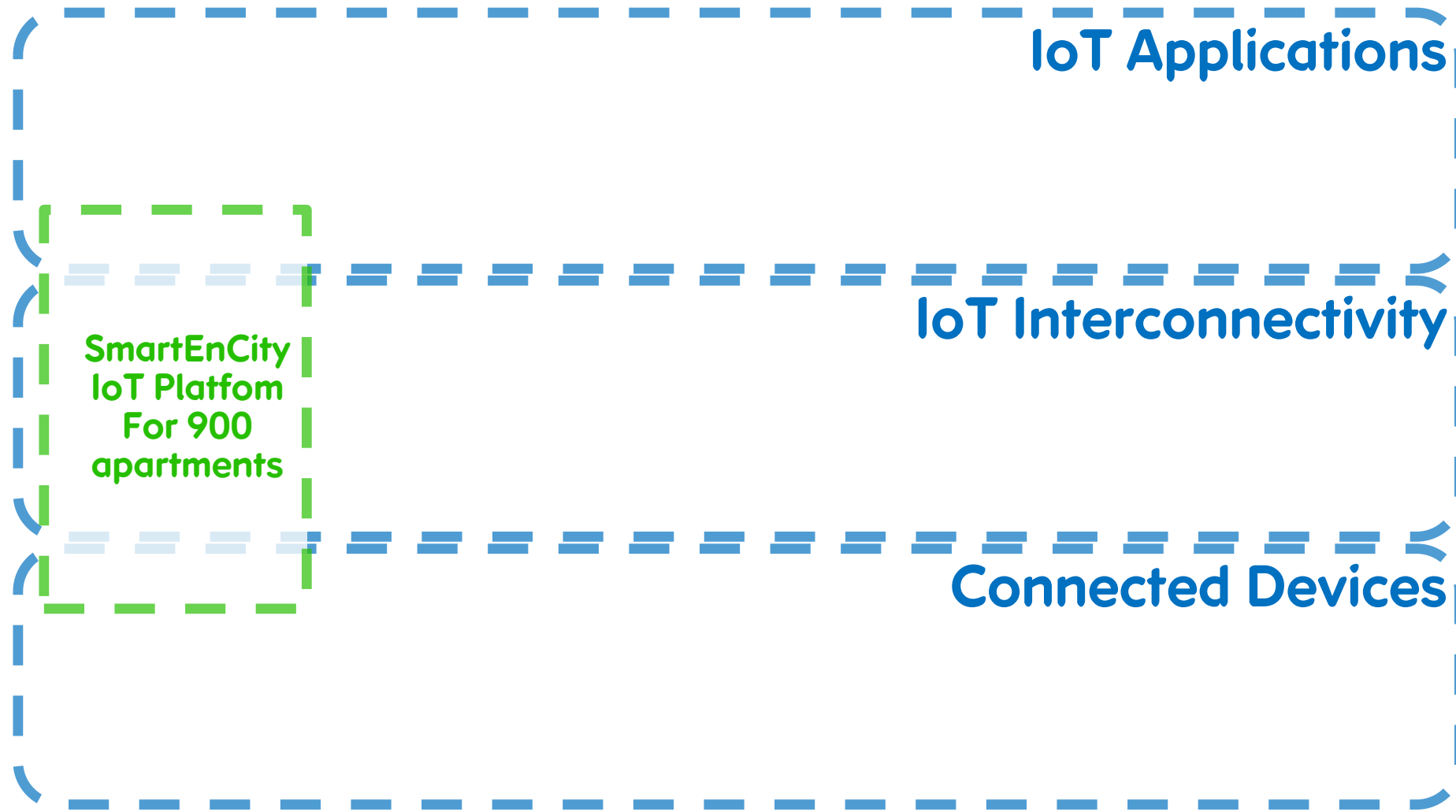
Toomas Kärner
IoT Business Manager
6/3/2016



BUILDING IoT APPLICATIONS



TELIA ACTIVITIES



SmartEnCity



SmartEnCity Project Tartu (ee) – Sondeborg (dk) – Vitoria-Gasteiz (es)

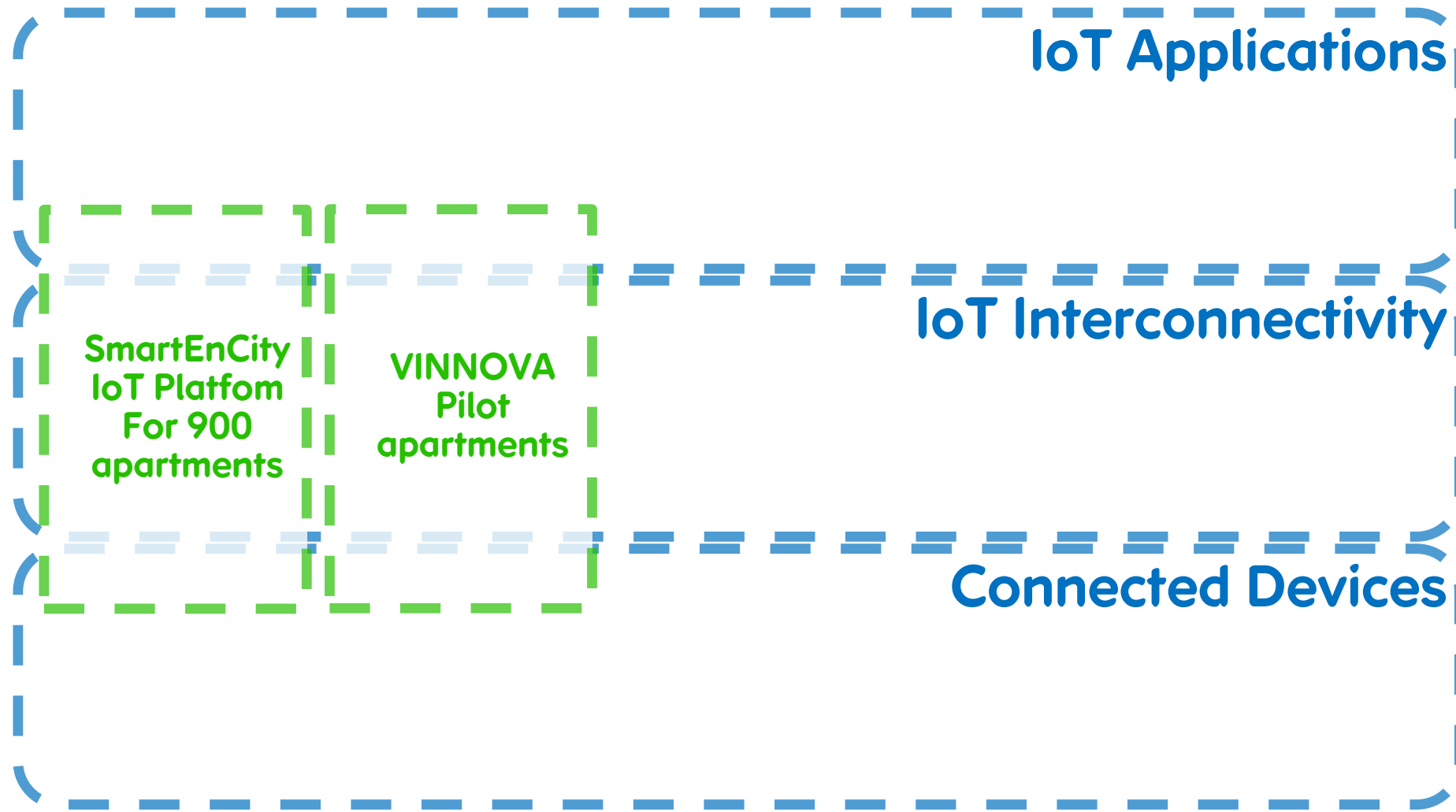
SmartEnCity project received a grant from EC under H2020 where Telia Eesti is responsible for ICT track that has to deliver Smart City architecture.

During the project 750 (es), 844 (dk) and 900 apartments in Estonia will be retrofitted.

Total Grant from EC 27,9M€



TELIA ACTIVITIES



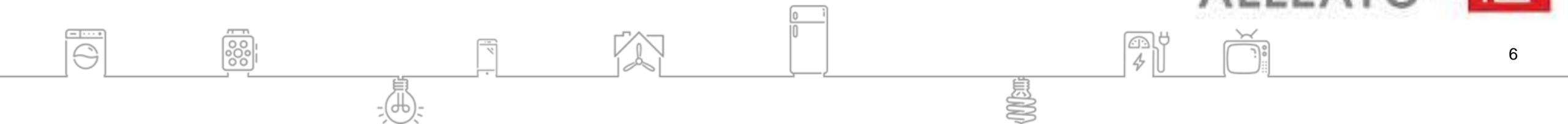
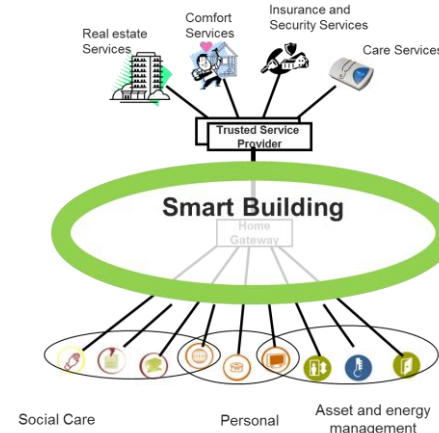
VINNOVA Pilot

Pilot Partners: Bostadbolaget Gothenburg, Förvaltaren Sundbyberg, Riksbyggen

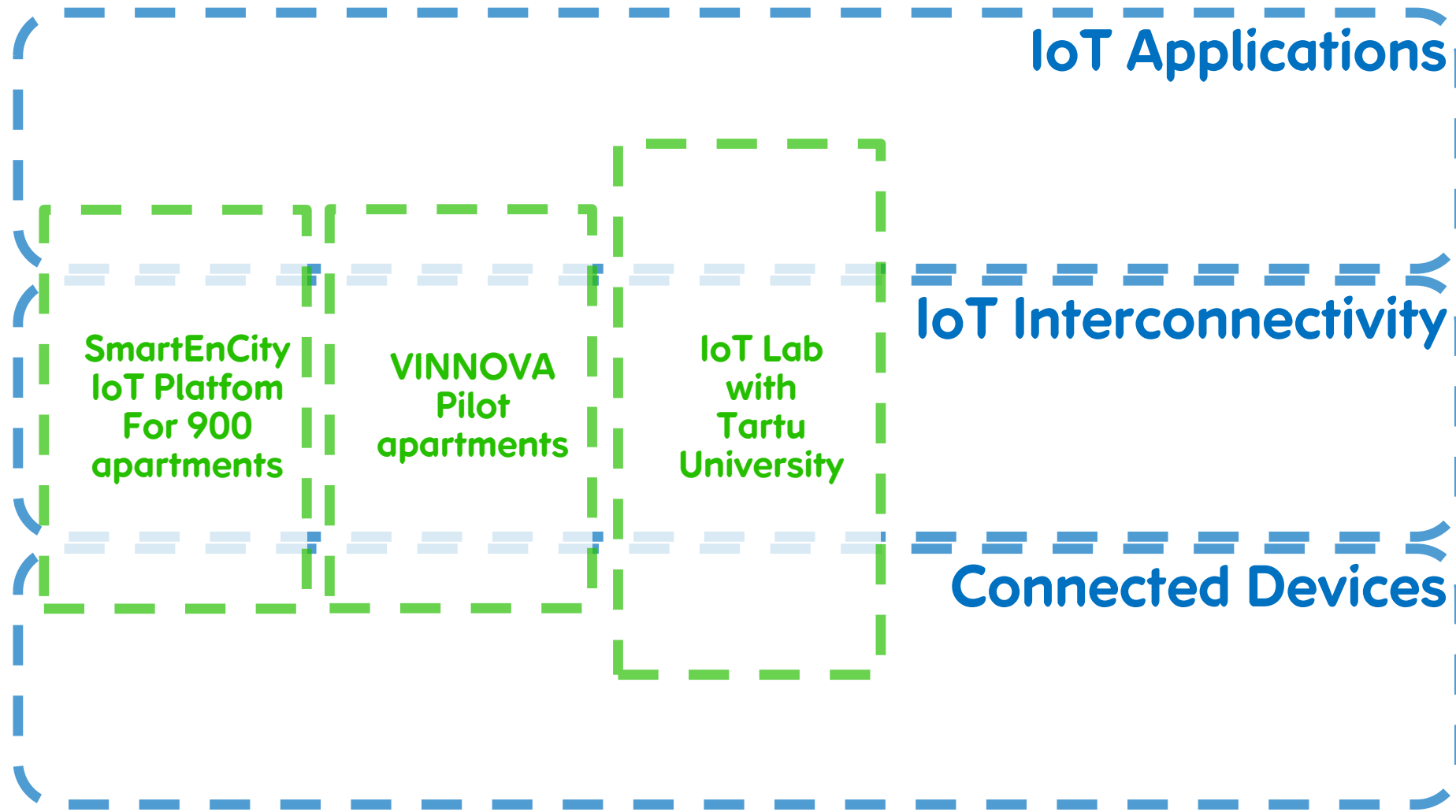


Goals

- Show that the open model works and that it is easy to introduce new services from other companies
- Define roles and responsibilities for TSP in relation to the other involved business partners
- Verify cost level and the compensation model
- Operation and maintenance, how?
- Show the benefits for real estate companies and care givers
- Develop an outline for purchasing agreement
- Contribute to make this happen in real life



TELIA ACTIVITIES



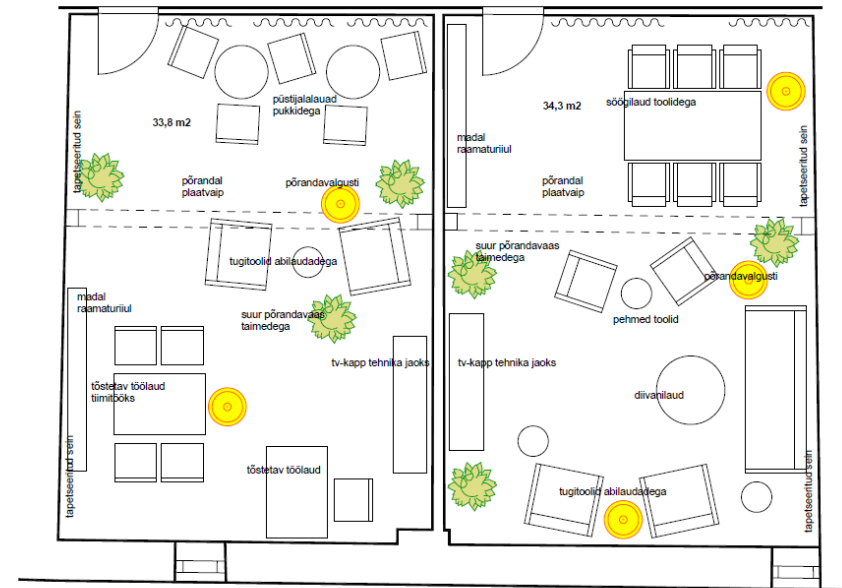
IOT ACTIVITIES – Research



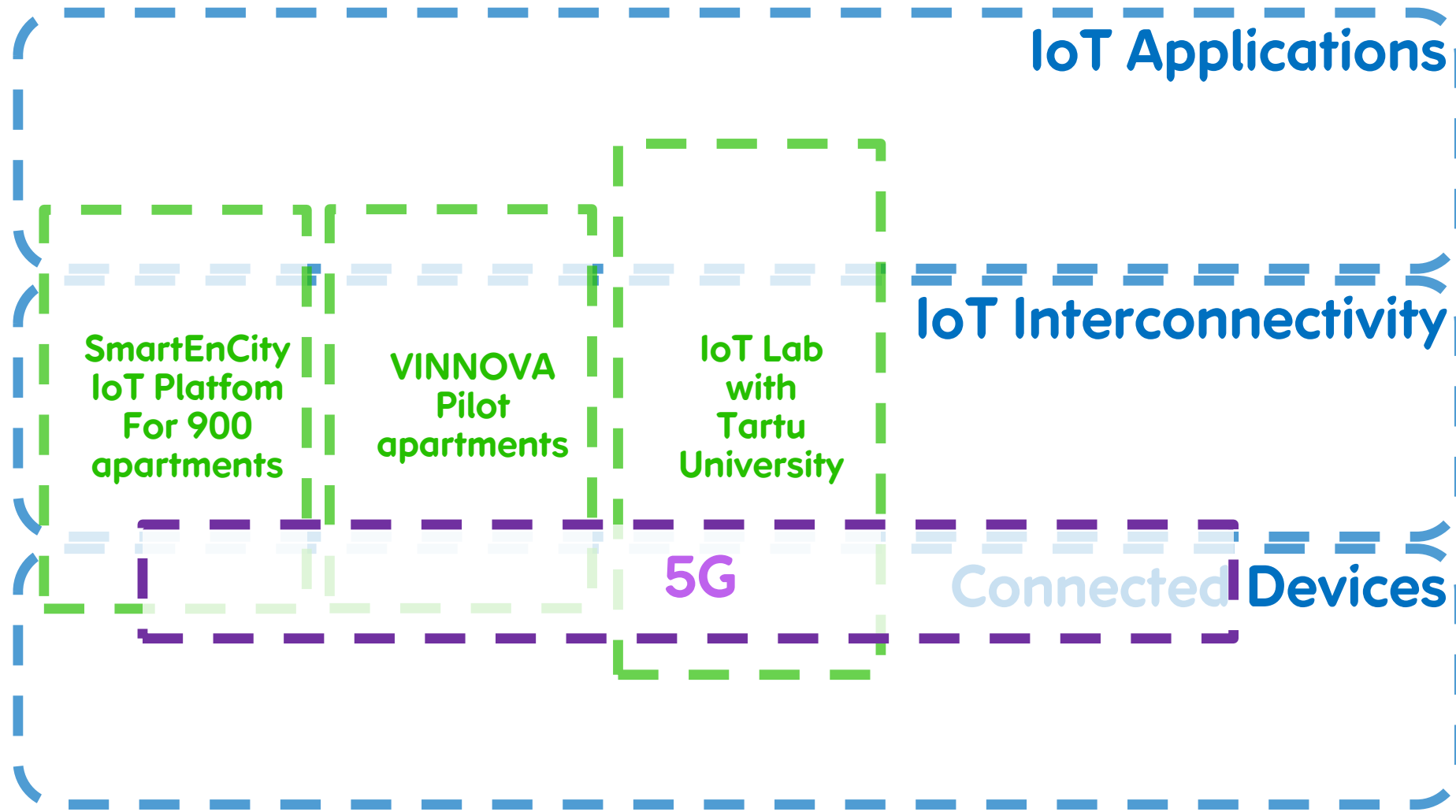
IoT Lab in Tartu University

Telia IoT Lab to be opened in Tartu University at 10'th of March with IoT VUNK event in Tartu

- University founded 1632 by Swedish king Gustavus Adolphus with nowadays 13'600 students and belonging to top 3% of universities in the world. 1300 doctoral students and 107 doctoral defenses in 2015 (more than half in Estonia)
- Reasons for Lab Creation:
 - Knowledge
 - Space to mix competences
 - Education
 - Startups
- Telia role
 - Suppling technology
 - Proposing study fields and courses
 - Special Projects

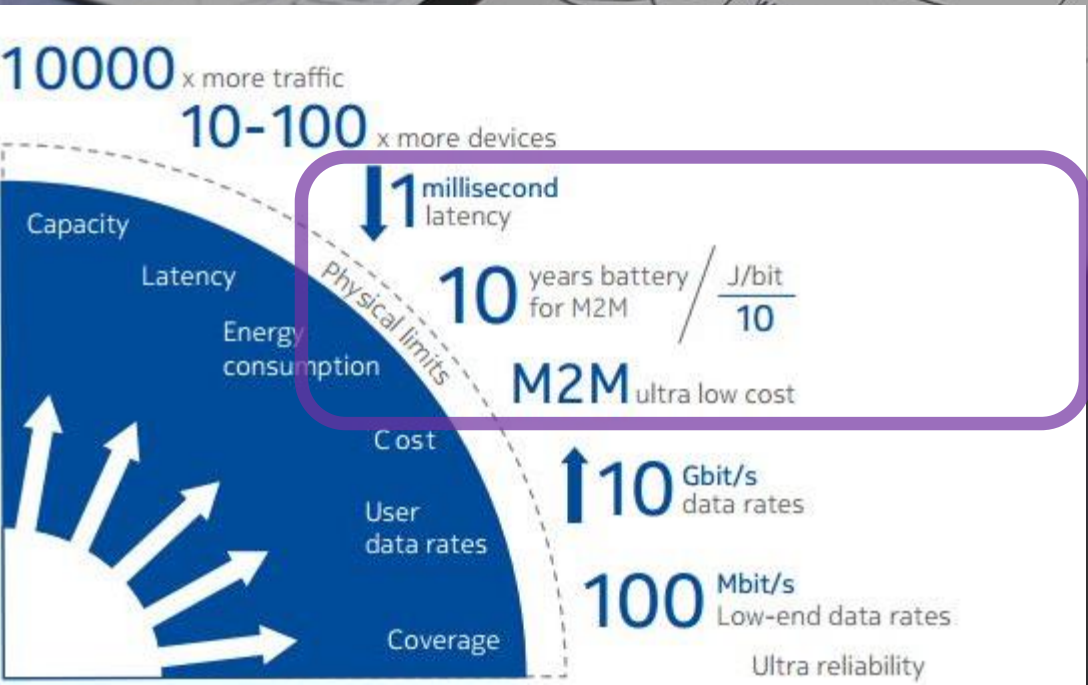


TELIA ACTIVITIES

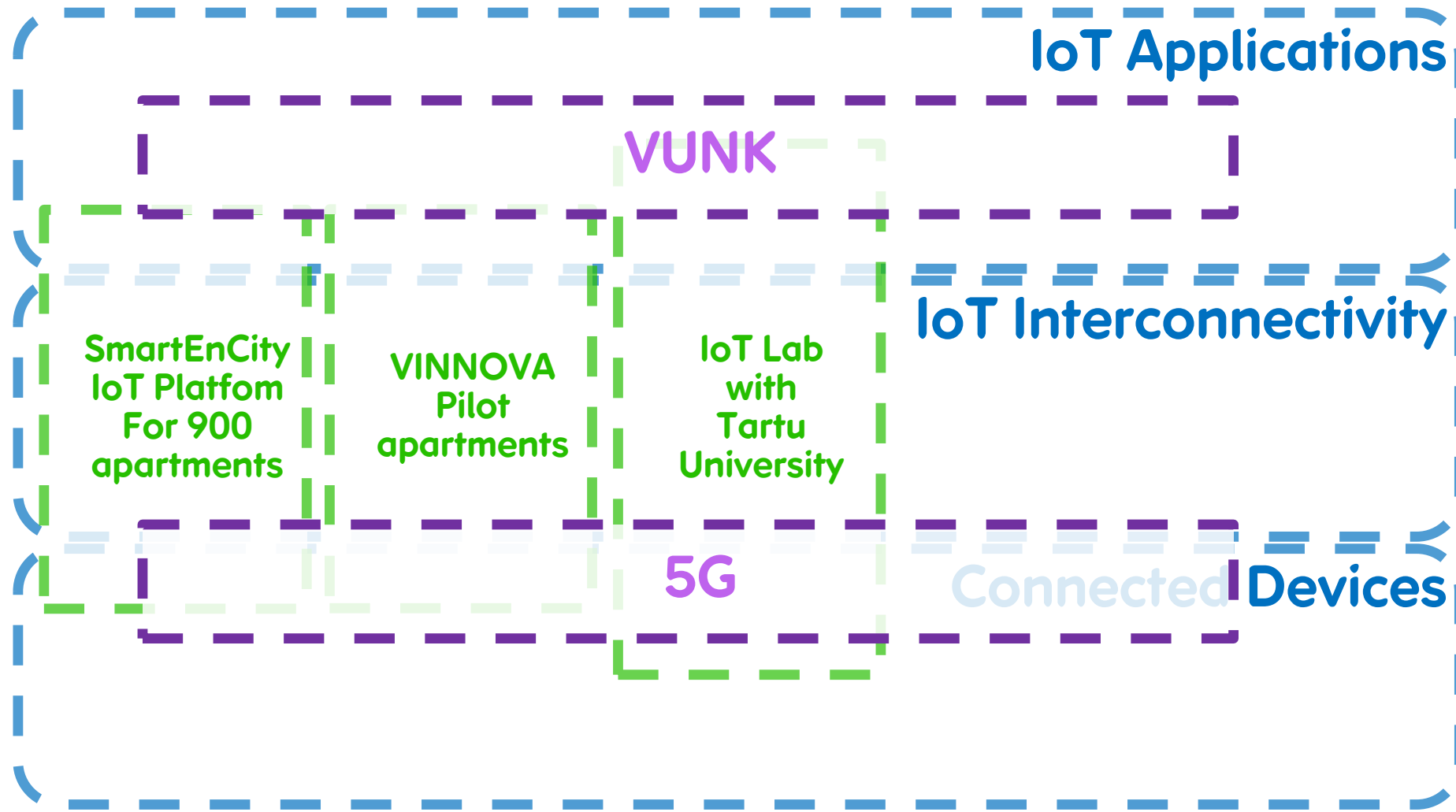


5G

5X Lower Latency
1000X Mobile Data Volumes
10X Battery Life
10-100X End-user Data Rates
10-100X Connected Devices



TELIA ACTIVITIES



What is and why VUNK?

We're Telia startup labs that provides companies with market access to validate ideas and grow their business.

We want to explore new ideas and collaborative business models that will benefit both you and us. We believe that startups build and scale businesses faster when they have better access to the market.

We believe we gain new ideas and fresh perspectives, helping us to innovate our existing products and services. Anything is possible when we work together!

VUNK



THANK YOU



Toomas Kärner